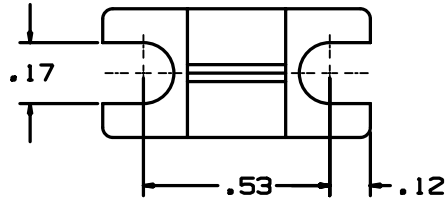
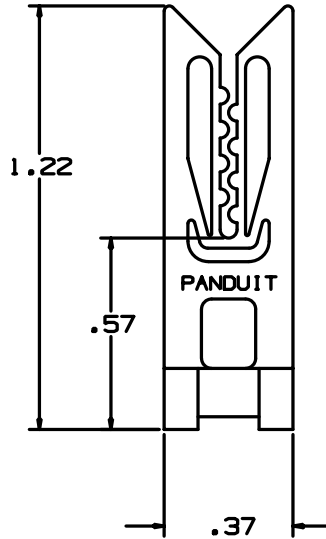
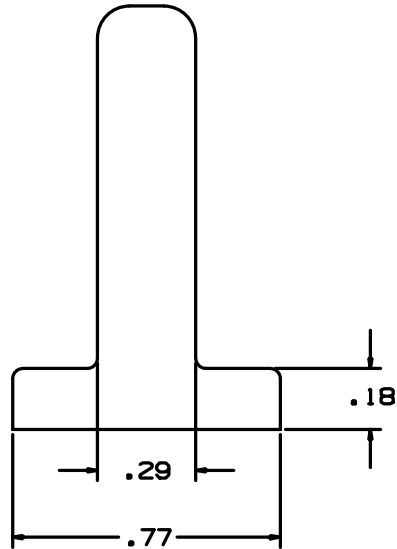


THIS COPY IS PROVIDED ON A RESTRICTED BASIS AND IS NOT TO BE USED IN ANY WAY DETRIMENTAL TO THE INTERESTS OF PANDUIT CORP.



PANDUIT PART NUMBER*	WEIGHT lbs/100 pcs (g)/100 pcs	RANGE OF WIRE SIZES	REC'M. FASTENER
WEH-E8	.59 (267)	16 TO 28 A.W.G.	#8 (M4) SCREW



- NOTES:
- SEE CURRENT PRICE SHEET FOR PART NUMBER SUFFIX DESIGNATION FOR PACKAGE SIZE.
 - COLOR: BLACK

DIMENSIONS IN PARENTHESES ARE METRIC

CAD FILENAME/LAYERS G00239ET_PB_WEHE8_01

PANDUIT CORP. TINLEY PARK, ILLINOIS

WIRE END HOLDER WEH-E8

UNLESS OTHERWISE SPECIFIED,
DIMENSIONAL TOLERANCES ARE:
(.X) ±0.05 (1.3) (.XXX) ±0.010 (0.25)
(.XX) ±0.02 (0.5) ANGLES ± 5°

UNLESS OTHERWISE SPECIFIED,
ALL DIMENSIONS ARE GIVEN
IN INCHES, THIRD ANGLE PROJECTION.

REV	DATE	BY	CHK	DESCRIPTION	ECN	R	CUST	SUP
I	10/12/04	JAD		.77 DIM WAS .79	GB0239ET	1		
R	01/20/97	CGSM		INITIAL RELEASE	GB0239ET	R		

DRAWN BY
CGSM
DATE
01/20/97
CHK'D

MAT'L:
ACETAL

SCALE
2/1
DRAWING NO.
GB0239ET
DWG
SIZE
A